

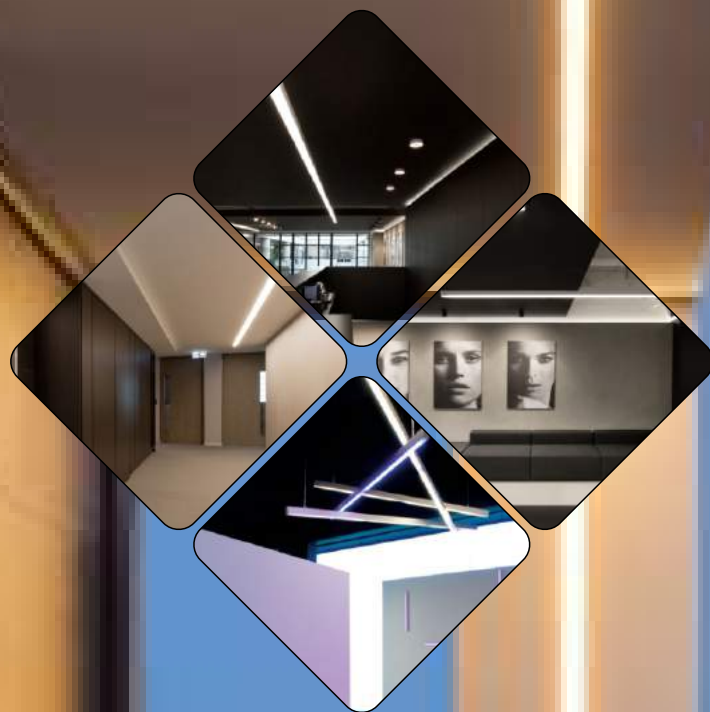


Greenie
PROFESSIONAL



LED Linear Light

A variety of configuration options
Variety shape, random match
Installation and diverse, embedded,
wall-mounted, hanging wire



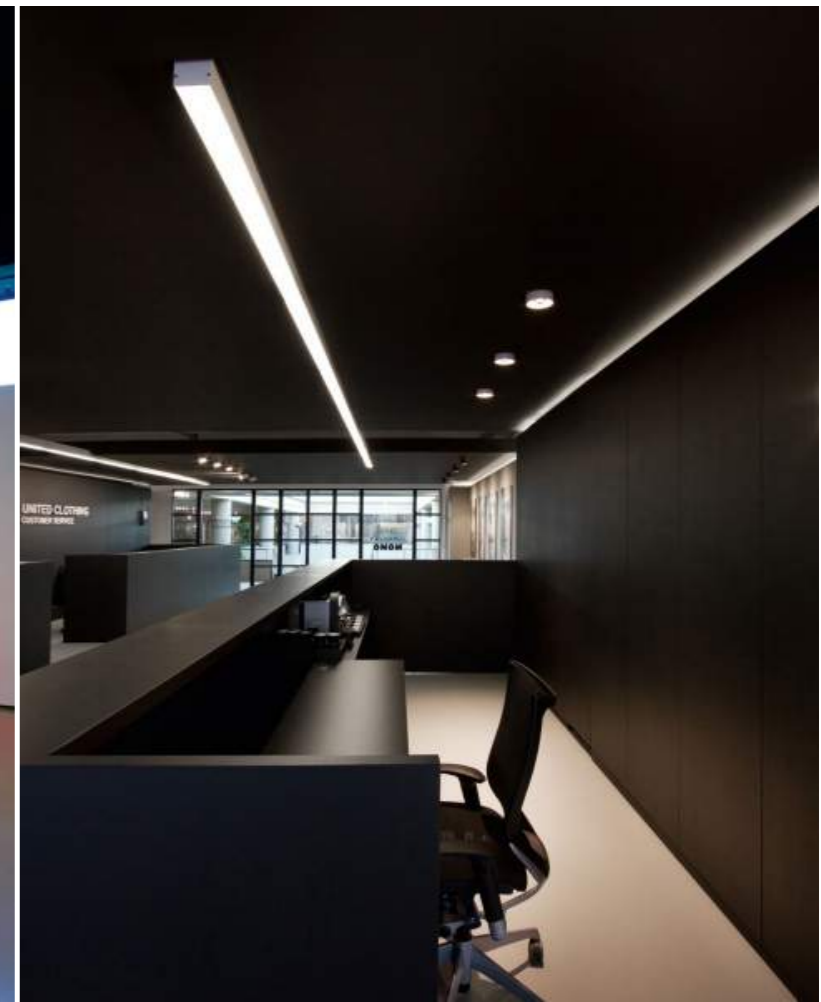


different needs

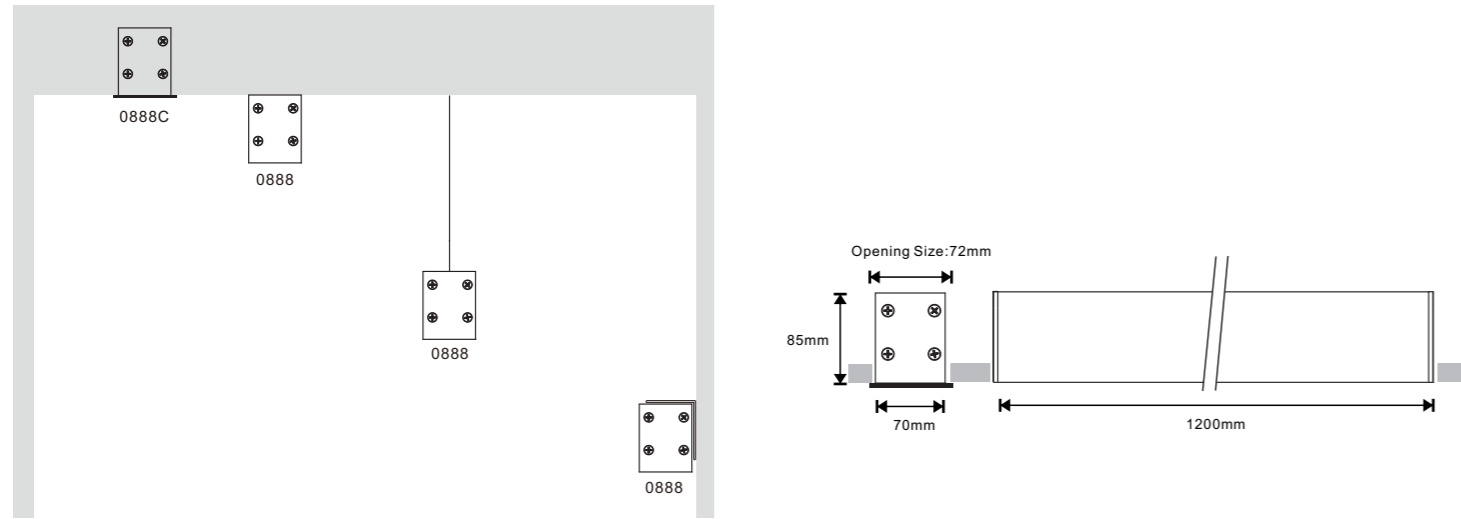
diversified places

LED linear light threads its linear form around angles and surfaces within a space creating a web of light, turning the visitor into an explorer. The minimal design affords a total-light effect providing outstanding visual comfort with reductions in luminance levels in upper emission corners and efficiency levels of over 73%. The numerous installation types meet the needs of the most demanding lighting designers and make LED linear light the perfect solution for spaces of every shape.

Greenie
PROFESSIONAL

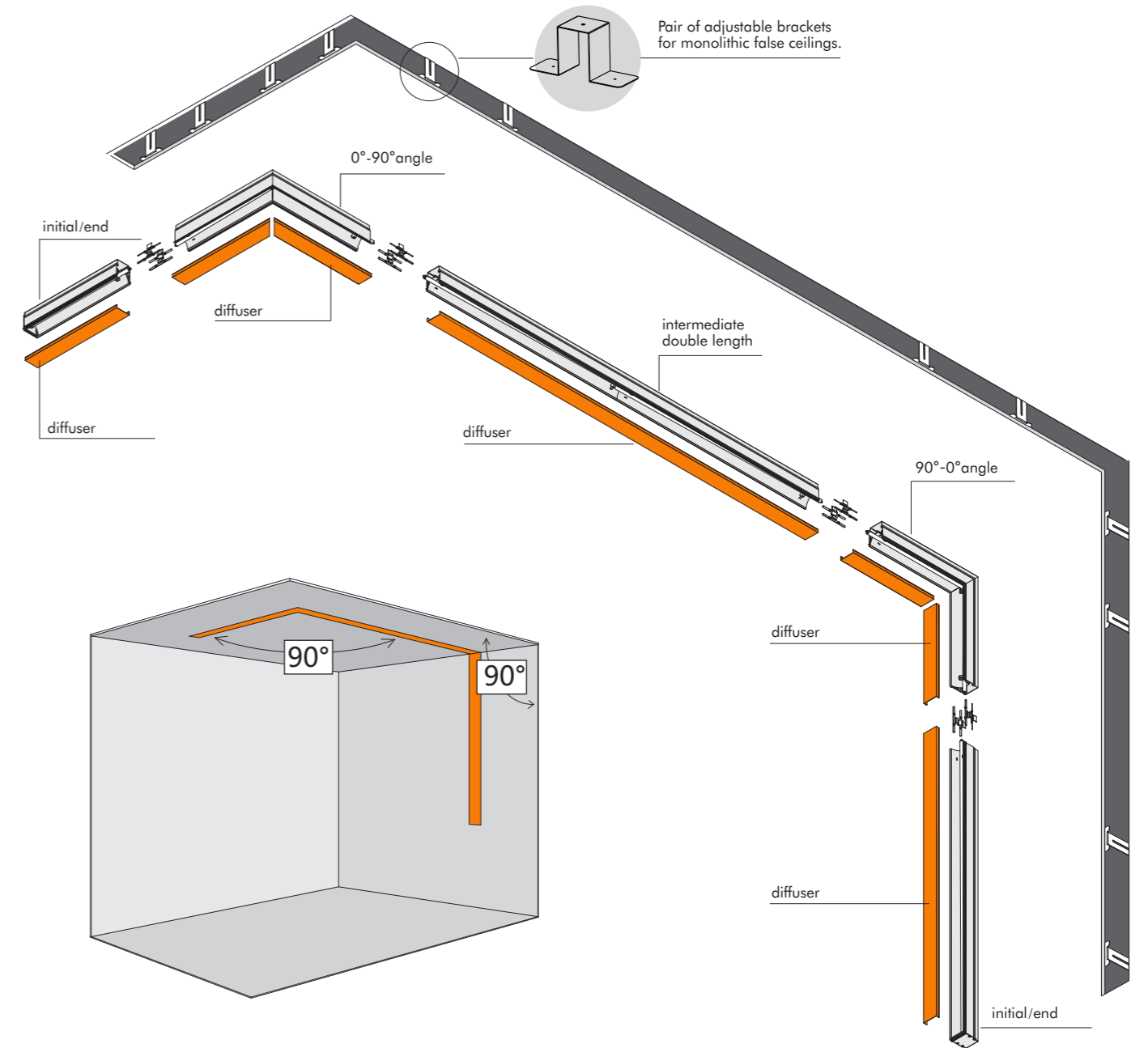


Installation



Configuration of a LED linear light continuous row

Appliance suitable for recessed installation; shown here in the trimless version. Also available in the frame recessed version.

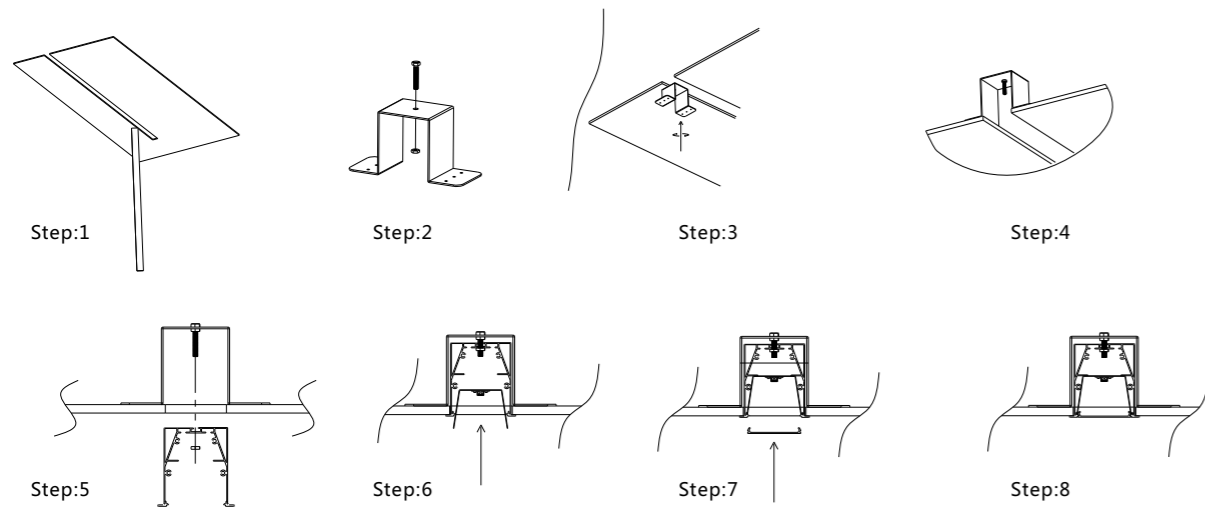


Products exploded view

- ① Extruded aluminium unit with electrical harness and end caps
- ② Parabolic reflector and LED sources
- ③ Diffuser



Example of Recessed installation



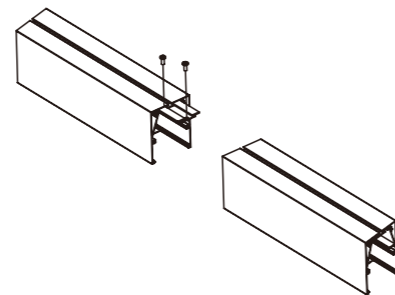
Example of suspended installation

Appliance suitable for suspended, ceiling or semi-recessed installation; shown here in the single suspension version with sliding cables.

Kit for suspension with sliding cables. Variable distancing between anchor points.



Example of the connection between linear



Types of angular module

The angular modules for continuous row with suspended, ceiling or semi-recessed installation have an angle of 90° on the horizontal plane.

The angular modules for continuous row with recess installation, on the other hand, are available with angles of 90° on the horizontal plane, or with angles of 90° between the wall and the ceiling and rebound angles of 0°, 15° and 35°.

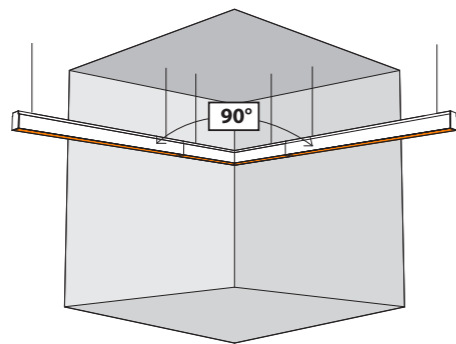
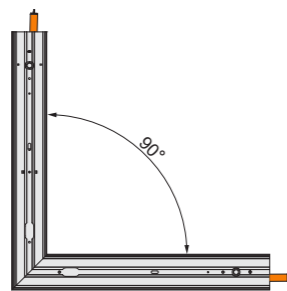
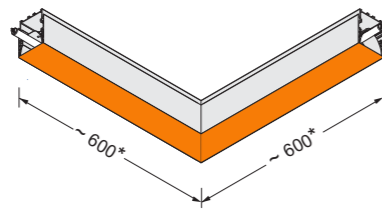
Available both for LED sources, and for 14/24W fluorescent lamps with overlapping of 100 mm for total homogeneity.

The electrical harness, lamp holder, through lines and parabolic reflectors are snap mounted onto plastic elements fixed to the extruded unit.

The linear connectors are included, whilst the diffusers, suspension kits and adjustable brackets must be ordered separately.

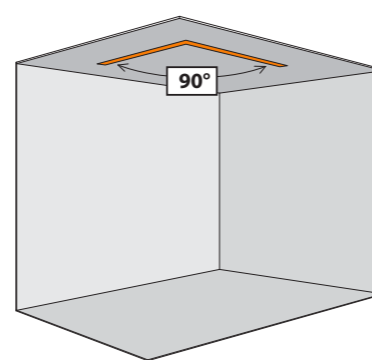
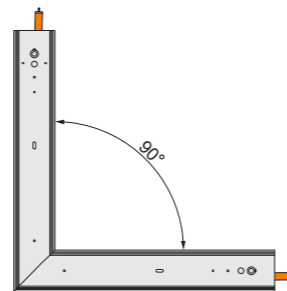
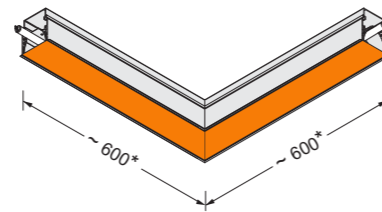
* Indicative diffuser length

angular module suspension / ceiling / semi-recessed 0° - 90° angle



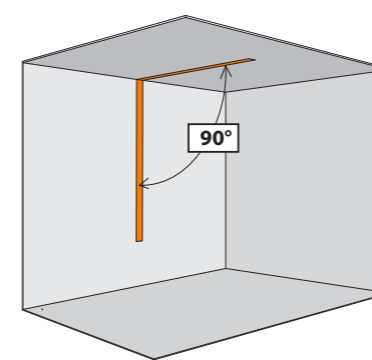
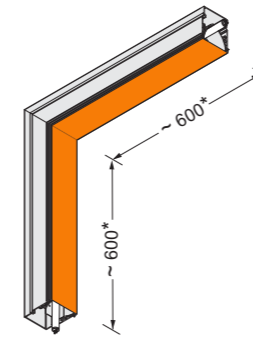
Angular lighting module for suspension, ceiling and semi-recessed installation with an angle of 90° on the horizontal level.

angular module ceiling recessed 0° - 90° angle



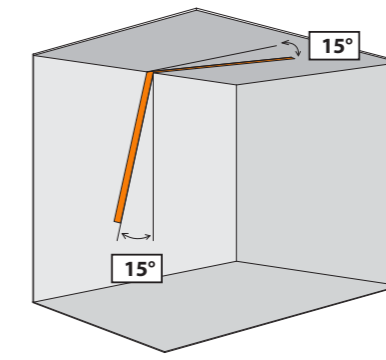
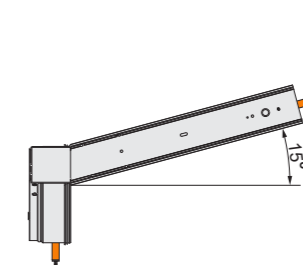
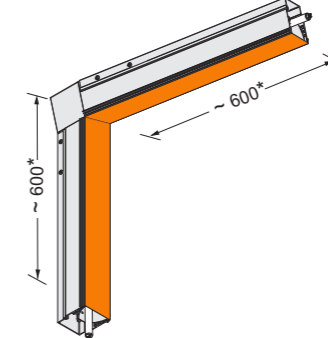
Angular lighting module for frame recessed installation with visible frame and angle of 90° on the horizontal level.

angular module recessed wall/ceiling 90° - 0° angle



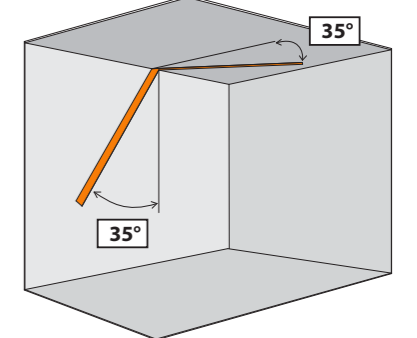
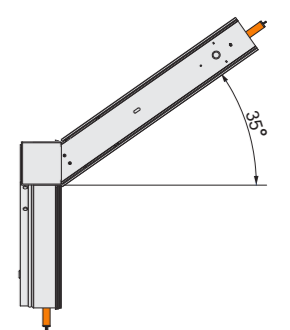
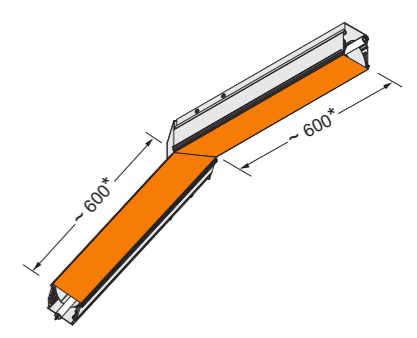
Angular lighting module for recessed trimless installation without visible frame with an angle of 90° between the wall and the ceiling.

angular module recessed wall/ceiling 90° - 15° angle



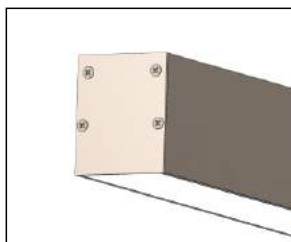
Angular lighting module for trimless recessed installation without visible frame with an angle of 90° between the wall and the ceiling and a rebound angle of 15° on both planes.

angular module recessed wall/ceiling 90° - 35° angle

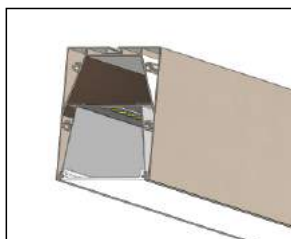


Angular lighting module for trimless recessed installation without visible frame with angle of 90° between the wall and the ceiling and rebound angle of 35° on both planes.

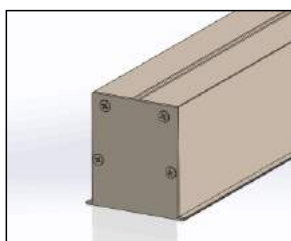
Single version



0888



0888

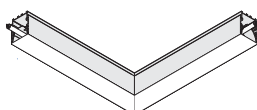


0888C

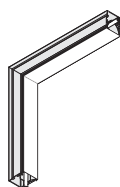
Item No.	Power	Size
0888 06 15 philips	15W	70*85*600mm
0888 06 20 philips	20W	70*85*600mm
0888 06 9 osram	9W	70*85*600mm
0888 06 15 osram	15W	70*85*600mm
0888 06 25 OTI No Selv	25W	70*85*600mm
0888 06 15B L	15W	70*85*600mm
0888 06 15B S	15W	70*85*600mm
0888 06 20B L	20W	70*85*600mm
0888 06 20B S	20W	70*85*600mm
0888 06 20B LP No Selv	20W	70*85*600mm
0888 12 30 philips	30W	70*85*1200mm
0888 12 40 philips	40W	70*85*1200mm
0888 12 18 osram	18W	70*85*1200mm
0888 12 30 osram	30W	70*85*1200mm
0888 12 50 OTI No selv	50W	70*85*1200mm
0888 06 30B L	30W	70*85*1200mm
0888 06 30B S	30W	70*85*1200mm
0888 12 40B L	40W	70*85*1200mm
0888 12 40B S	40W	70*85*1200mm
0888 12 40B LP No Selv	40W	70*85*1200mm
0888C 06 15 philips	15W	70*85*600mm
0888C 06 20 philips	20W	70*85*600mm
0888C 06 9 osram	9W	70*85*600mm
0888C 06 15 osram	15W	70*85*600mm
0888C 06 25 OTI No Selv	25W	70*85*600mm
0888C 06 15B L	15W	70*85*600mm
0888C 06 15B S	15W	70*85*600mm
0888C 06 20B L	20W	70*85*600mm
0888C 06 20B S	20W	70*85*600mm
0888C 06 20B LP No Selv	20W	70*85*600mm
0888C 12 30 philips	30W	70*85*1200mm
0888C 12 40 philips No Selv	40W	70*85*1200mm
0888C 12 18 osram	18W	70*85*1200mm
0888C 12 30 osram	30W	70*85*1200mm
0888C 12 50 OTI No Selv	50W	70*85*1200mm
0888C 06 30B L	30W	70*85*1200mm
0888C 06 30B S	30W	70*85*1200mm
0888C 12 40B L	40W	70*85*1200mm
0888C 12 40B S	40W	70*85*1200mm
0888C 12 40B LP	40W	70*85*1200mm



Accessories choice:



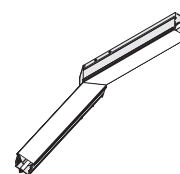
Model:Corner H 70



Model:Corner V 70



Model:Corner V 15° 70



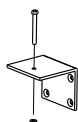
Model:Corner V 35° 70



Model:Cable 70

When use for hanging

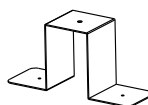
Suspension kit including a L=1000 mm steel cable, spring adjuster and ceiling rose with nickel ogive



Model:W-bracket 70

When use for wall mount

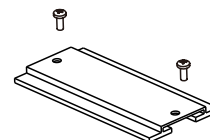
Wall mounting of pair bracket



Model:C-bracket 70

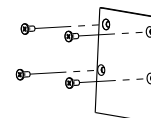
When use for emberged

Pair of brackets for load bearing false-ceilings



Model:C-connector 70

When use for connection between two linear end.



Model:Cap 70

End caps

Greenie Polska Sp. z o.o. Sp.k.
Al. Witosza 31/111c
00-710 Warsaw. POLAND

tel.+48 22 842 22 32
e-mail: biuro@greenie.pl

www.greenie-world.com

Greenie
POLSKA