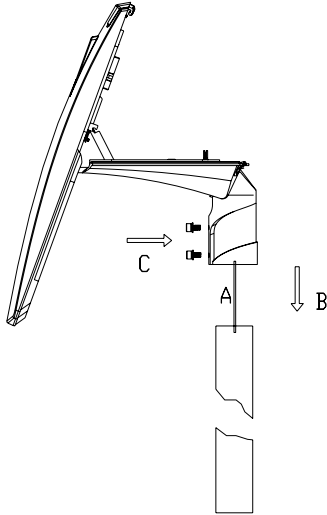


LED Mars Street Light Installation Manual

 Must be installed by a licenced electrician as per the latest AS-3000 wiring regulations

Step 1

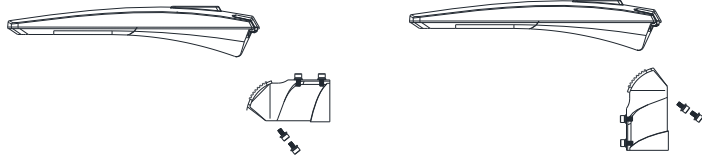


A. The electric supply line passes through the luminaire and pass through the PG connector extends to the inside lamp body.

B. put luminaire on the pole.

C. Tighten screws of the luminaire .

Luminaire with two installation ways , horizontally and vertically , open the package and tighten the luminaire as shown in required way .

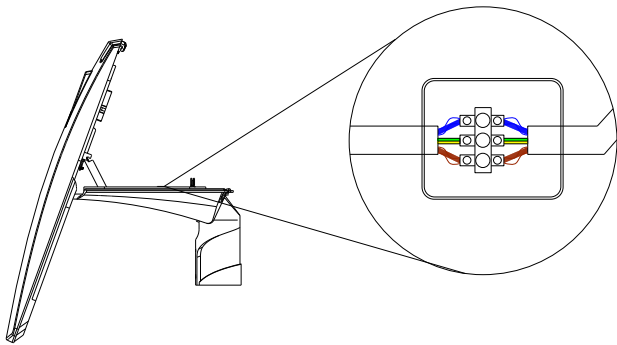


Horizontally

Vertically

Step 2

Wiring , connect the electric supply line with power input cable.



Note:

① AC 100-277V Cable

L	Brown	
N	Blue	
⊕	Green / Yellow	

Warning

• Please make sure the power off before operation

Step 3

Close the lamp body , installation completed , lamp body can rotate up and down 15 degree.

